

GROUND ZERO[®]

GERMAN ENGINEERING

Datasheet

GZRW 10XSPL



GROUND ZERO GmbH – Erlenweg 25, 85658 Eggening, Germany



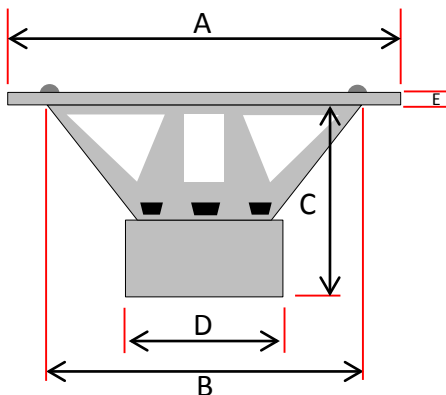
GroundZeroAudioCom

www.ground-zero-audio.com
info@ground-zero-audio.com

TECHNICAL SPECIFICATIONS

Product name	GZRW 10XSPL	Gasket material	Foam
Product type	Subwoofer driver	Terminal type	Black-chromed push terminal
Outer diameter	257 mm / 10.12"	Power handling	1200WSPL (800 WRMS)*
Mounting diameter	228 mm / 8.98"	Impedance	2x 2 ohms
Mounting depth	150 mm / 5.9"	$R_{e(Serial)}$	4.00 ohms
Magnet dimension	(2x) 140 x 20 mm	R_{es}	37.68 ohms
Total weight	6.2 kg	F_s	44.3 Hz
Voice coil diameter	63 mm / 2.5" round wire	Q_{ms}	7.798
Voice coil wire material	Copper	Q_{es}	0.828
Voice coil winding height	30 mm / 1.18"	Q_{ts}	0.749
Voice coil former material	Aluminum	R_{ms}	8198 g/s
Top plate / height	10 mm / 0.39"	C_{ms}	0.056 mm/N
Linear excursion (one direction)	13 mm / 0.51"	M_{ms}	229.6 gr
Effective Xmax	30 mm / 1.18"	BL	17.58 N/A
Top Plate and T-Yoke color	Black	SPL (1w/1m)	81.8 dB
Basket material	Steel	V_{AS}	9.0 L / 0.32 cu.ft
Basket color	Yellow	L_e	3.092 mH
Spider	(2x) Polycot	S_d	336,54 cm ²
Surround type	High-roll sandwich foam	Recommended frequency range	40 – 120 Hz
Cone material	Reinforced paper	Recommended amplifier power	600 – 1200 WRMS (@ 4 / 1 ohms)
Dustcap material	Convex IMPP with 3-D logo		
Magnet cover	PVC		

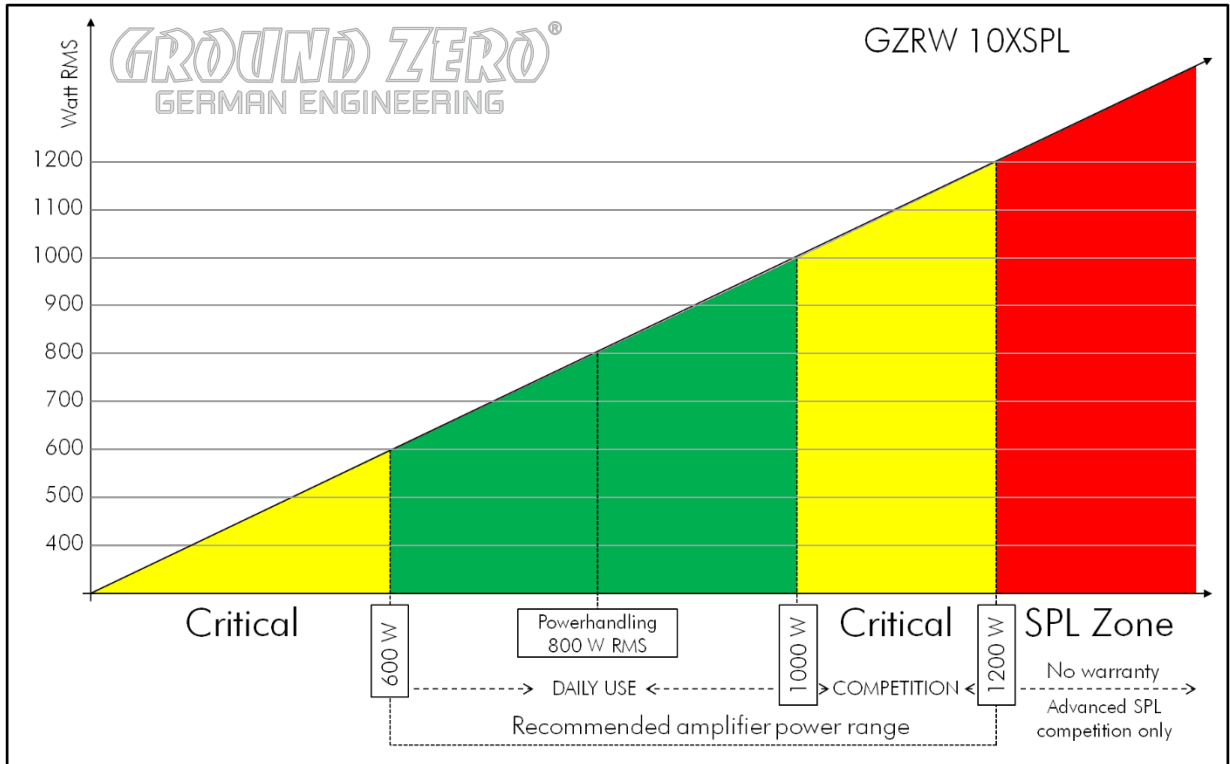
* max. power handling is only for recommended enclosure applicable



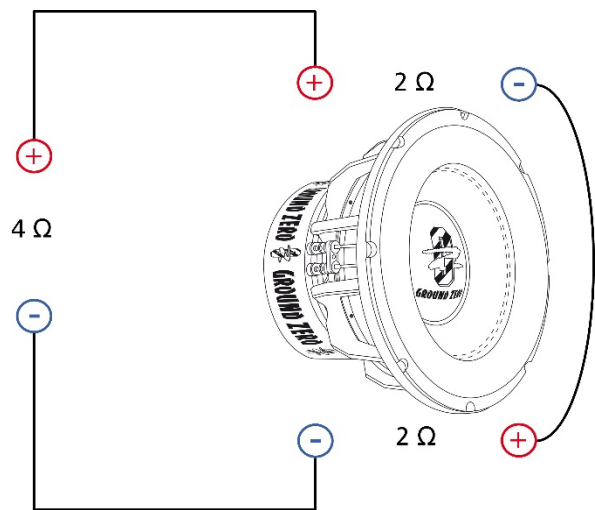
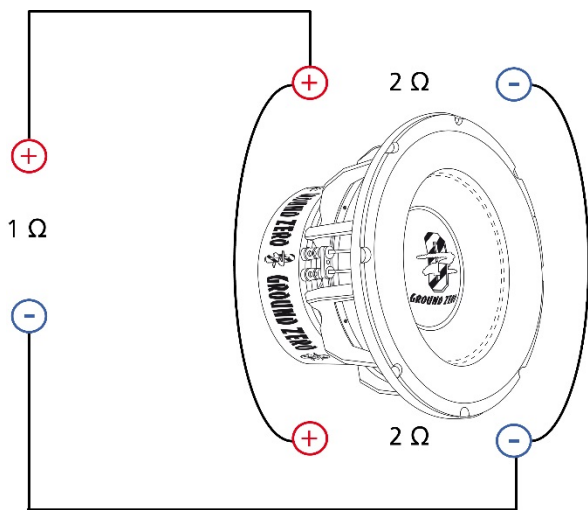
A	257 mm / 10.12"
B	228 mm / 8.98"
C	150 mm / 5.9"
D	162 mm / 6.38"
E	6 mm / 0.24"



POWER RECOMMENDATION



WIRING OPTIONS



ENCLOSURE RECOMMENDATION

Bassreflex / vented (Grün / green)	50 Liter netto / 1.77 cu.ft. net Recommended enclosure !
Port (dimensions)	100 mm / 4"
Portlänge / port length	260 mm / 10.24"
F ₃ (-3 dB)	29 Hz
Bassreflex / vented (Orange / orange)	38 Liter netto / 1.34 cu.ft. net Minimum volume
Port (dimensions)	80 mm / 3.15"
Portlänge / port length	180 mm / 7.09"
F ₃ (-3 dB)	31 Hz
Bandpass 4th order (Blau / blue)	15 Liter netto geschlossen / 0.53 cu.ft. net sealed 30 Liter netto ventiliert / 1.06 cu.ft. net vented limited frequency range
Port (diameter)	100 mm / 4"
Portlänge / port length	180 mm / 7.09"
F _b (tuning frequency)	55 Hz
Bandbreite / bandwidth (-3dB)	33 – 91 Hz
Geschlossen / sealed (Rot / red)	20 Liter netto / 0.71 cu.ft. net Minimum enclosure volume
Q _{tc} / F ₃ (-3 dB)	0.9 / 44 Hz
Geschlossen / sealed (violett / violet)	35 Liter netto / 1.24 cu.ft. net Recommended enclosure volume
Q _{tc} / F ₃ (-3 dB)	0.84 / 43 Hz

