



***POWER SPORTS***

OWNER'S MANUAL

**800.4**

EVO**PS**



Introduction .....	3
Features .....	3
Package contents .....	3
Safety instructions .....	4
<b>Technologies</b>	
DTM .....	5
Ultra Compact PCB .....	5
Robust Construction .....	5
Vibration Absorption Device .....	6
Low Battery consumption .....	6
Marinization with protection index IP64 .....	6
Assembling and Disassembling the Plastic Seals .....	7
<b>Panels description</b>	
Audio inputs and controls.....	8
Power inputs and audio outputs .....	9
Electrical Dimensioning.....	10
Installation sequence.....	11
<b>Wiring diagram</b>	
Four channels wiring diagram.....	12
Three channels wiring diagram.....	12
Two channels wiring diagram.....	13
Procedure for setting the gain.....	13
Crossovers set up.....	14
<b>Technical specs</b>	
Parameters.....	15
Dimensional data.....	15

## **DEAR CUSTOMER,**

### **CONGRATULATIONS ON ACQUIRING A PRODUCT WITH THE HIGHEST QUALITY AND TECHNOLOGY!**

You have just purchased a **SoundDigital** product of the highest technology and quality, so we thank you for your confidence.

**SoundDigital** products are made with raw materials of the highest quality standards, and the most modern processes, equipment and technology are used in their production.

On this manual you will learn about the product, its features and characteristics, in order to obtain the best result and to be able to enjoy your music with **SoundDigital** quality and power.

To better understand and take advantage of all the functions of the product and use it safely, read this manual carefully and if you have any questions, consult our support by email [info@sounddigitalusa.com](mailto:info@sounddigitalusa.com).

## **FEATURES**

- Resistant to moisture, water splash and dust;
- Compact design;
- Conformal coated circuit board;
- Variable crossover with LP / FULL / HP selector switch;
- High efficiency Class D;
- Robust construction, resistant to vibrations and bumps;
- IP64 Rating.

## **PACKAGE CONTENTS**

- 1 EVOPS Amplifier
- 1 Installation quick guide with warranty card
- 1 Allen wrench 2mm
- 1 Soundigital promotional black sticker
- 1 Soundigital promotional white sticker

To prevent injuries to the user or damage to the amplifier, read all safety instructions written on this manual;

If you are insecure about the installation of this equipment, get in touch with our tech support or with a professional specialized in car audio/vessel audio installation;

Before proceeding with the installation of any electric equipment on your vehicle/vessel, unplug the negative (-) terminal of the battery to avoid fires, injuries or damages;

Use your sound system safely. The continuous exposure to sound pressures over 85dB may cause irreversible hearing damage;

This equipment is for use in DC voltage batteries between 12.6 and 14.4 volts. Before installing the equipment, check voltage of the batteries;

Choose a ventilated place to install the amplifier ;

Mount the amplifier in a secure way. Avoid mounting it on metallic parts of the vehicle/vessel, because it may cause ground looping (noise);

Make sure that the location chosen for the amplifier installation does not effect the operation of the vehicle/vessel;

Please select a dry location to mount your amplifier. The products are designed to operate in humid environments but the direct contact with water can damage the amplifier.

When passing cables through metallic walls, use rubber O-rings to avoid cable cutting and short-circuits.

Clean the amplifier periodically with brush or dry cloth to assure the thermal efficiency of the heatsink.

This product may reach temperatures over 60°C/140°F. Make sure it is cold before touching it;

Be careful when making holes in the vehicle/vessel. Make sure you are not making holes in the fuel tank, brake lines, boat hull or electrical cables of the vehicle/vessel;

Make sure the cables are properly secured throughout the installation;

Wear gloves, safety glasses and and all necessary PPE during the installation of SounDigital amplifiers.

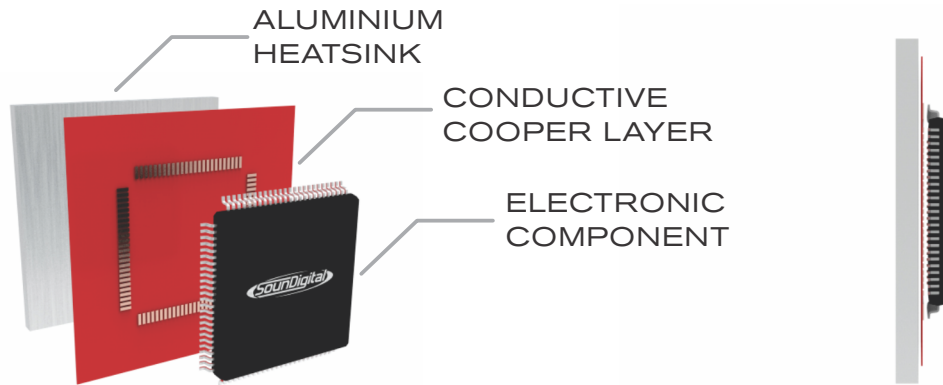


**Warning!**

**THIS "WARNING" SIGN ALERTS THE USER OF IMPORTANT INFO. NOT FOLLOWING THIS INSTRUCTIONS MAY CAUSE INJURIES TO THE USER OR DAMAGE TO THE EQUIPMENT.**



## DYNAMIC THERMAL MANAGEMENT - DTM

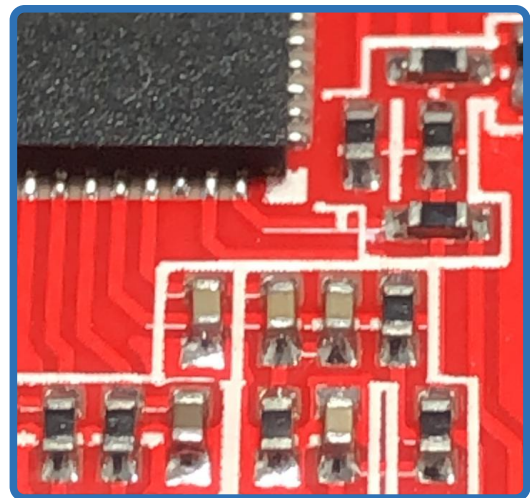


The **DTM**\* is a dynamic thermal management system which always maintains a high efficiency of the amplifier by accelerating the thermal exchange of electronic components with the heatsink

*\* Patent. Required*

## ULTRA COMPACT PCB

An intelligent layout, with great use of the PCB area and the use of modern components with reduced structure guarantee **SoundDigital** products a compact design, at the same time robust and with excellent thermal efficiency.

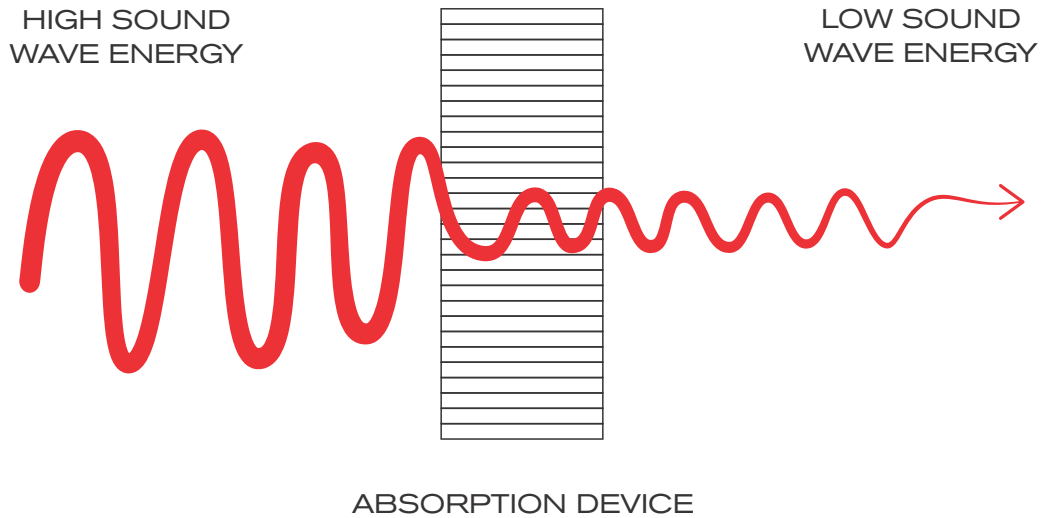


## ROBUST CONSTRUCTION

Thinking about the application of power sports, the product has an extremely robust assembly, both the connection points and the layout of the plate were designed to withstand high vibrations, bumps and impacts.

## VIBRATION ABSORPTION DEVICE

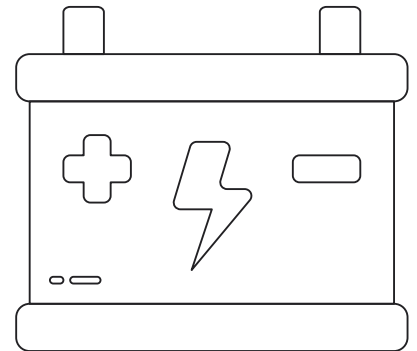
SoundDigital added a new device to the EVOPS products which act like shock absorbers reducing the impact of vibration on the electronic circuit board, thereby increasing the life and reliability of the amplifiers.



## I - POWER SUPPLY

SoundDigital amplifiers are known for their low consumption of battery, and this feature was improved on the **EVOPS Line**. The new **I-POWER SUPPLY** is even more modern, which replaces the old toroidal transformers by a new generation of "E-E" core transformers delivers efficiency above 90% \*,ensuring more hours of sound without battery recharge.

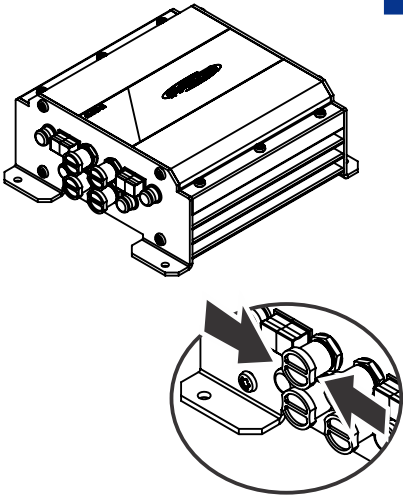
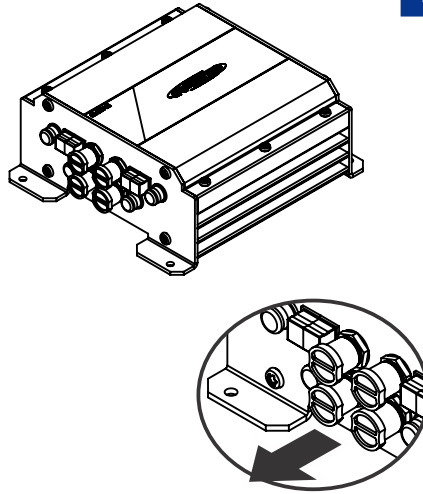
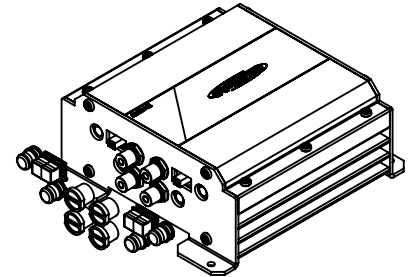
\*Efficiency measured at power supply only



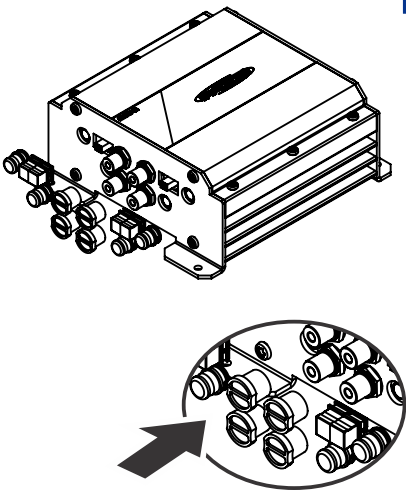
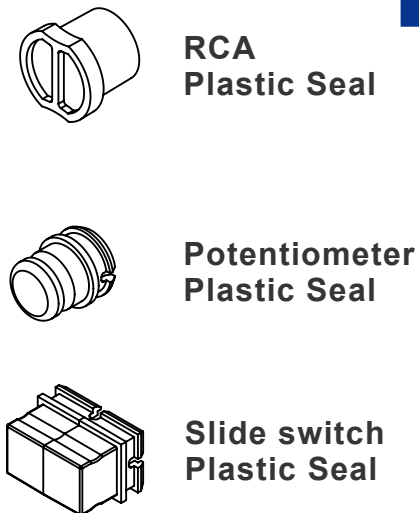
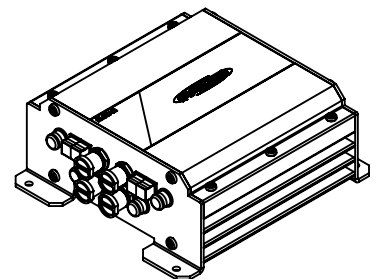
## MARINIZATION WITH PROTECTION INDEX IP64

The product is protected against ingress of dust particles and water droplets from all sides, beyond that, the plate receives a conformal coating treatment to protect the components from moisture.

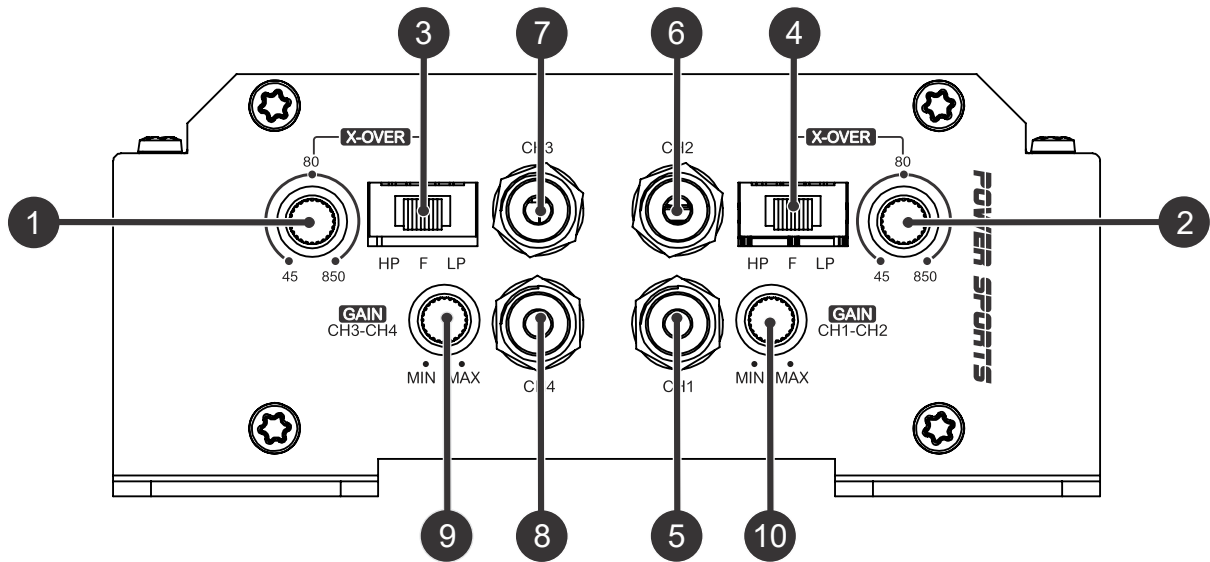


**DISASSEMBLING THE PLASTICS SEALS****1****2****3**

- 1.** Squeeze the assembled Flexible Plastic Seals
- 2.** Pull out the Plastic Seals

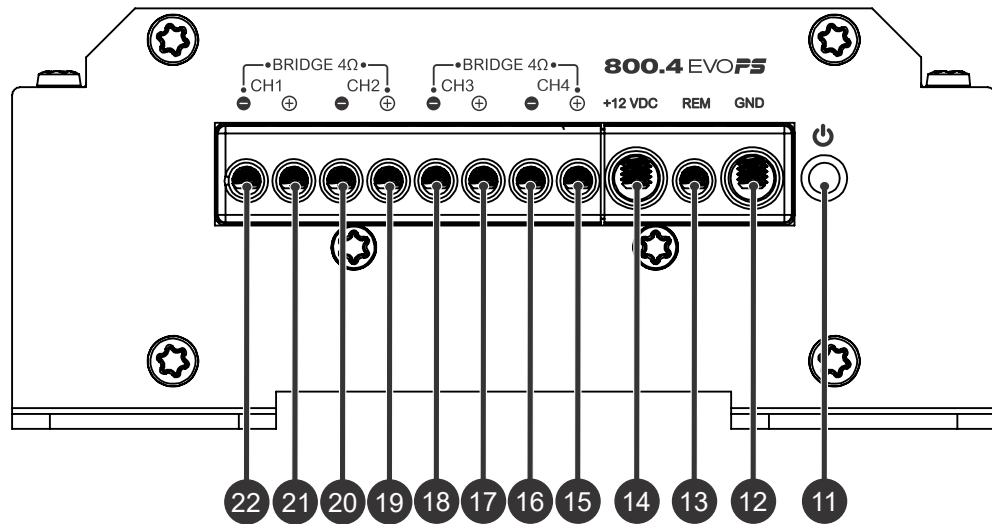
**ASSEMBLING THE PLASTICS SEALS****1****2****3**

- 1.** Hold the disassembled Flexible Plastic Seals and fit them in their specific housing;
- 2.** Each connector has its specific Plastic Seal;
- 3.** Make sure the Flexible Plastic Seals are perfectly fitted.



1	CH3/CH4	Variable crossover control - 45Hz to 850Hz
2	CH1/CH2	
3	CH3/CH4	Crossover Switch Low Pass - Full - High Pass
4	CH1/CH2	
5	CH1	Audio input - RCA connector
6	CH2	
7	CH3	
8	CH4	
9	CH3/CH4	Variable Gain Control
10	CH1/CH2	





11	-	"Power ON" LED indicator (Blue)
12	-	Negative power supply connector (GND)
13	-	Remote power supply connector (REM)
14	-	Positive power supply connector (+12VDC)
15	CH4	Positive speaker connector
16	CH4	Negative speaker connector
17	CH3	Positive speaker connector
18	CH3	Negative speaker connector
19	CH2	Positive speaker connector
20	CH2	Negative speaker connector
21	CH1	Positive speaker connector
22	CH1	Negative speaker connector

## ELECTRICAL DIMENSIONING

For proper operation of your SounDigital amplifier, you need the proper dimensioning of the electrical system and the cables used.

The table below shows the minimum section of GND cables, +12VDC cables and speaker output cables according to the power generated by the amplifier.

800 WRMS	POWER CABLE	10mm <sup>2</sup> - 7 AWG
	GROUND CABLE	
	SPEAKER CABLE	2x1.5mm <sup>2</sup> - 15WG

We recommend the use of ONLY OFC (Oxygen Free Copper) Cables on the installation of our products.





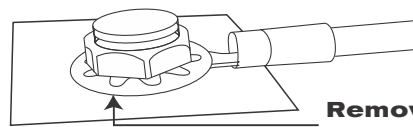
**BEFORE PROCEEDING WITH THE INSTALLATION, UNPLUG THE NEGATIVE TERMINAL FROM ALL OF THE BATTERIES, TO AVOID FIRE, DAMAGE TO THE AMPLIFIER AND THE USER HIMSELF**

- Mount the amplifier in such a way you have access to the connectors;
- Install the power cables in the vehicle/vessel properly, starting from the battery to the fuse holder or circuit breaker, use the cable with the appropriate size. Make all connections, install fuse holders or circuit breakers, but without placing the fuses or with the circuit breakers in the "Off" position.



**Warning! THE MAX: DISTANCE FOR THE INSTALLATION OF THE FUSE/CIRCUIT BREAKER IS ONE FOOT (30 CM) AWAY FROM THE BATTERY**

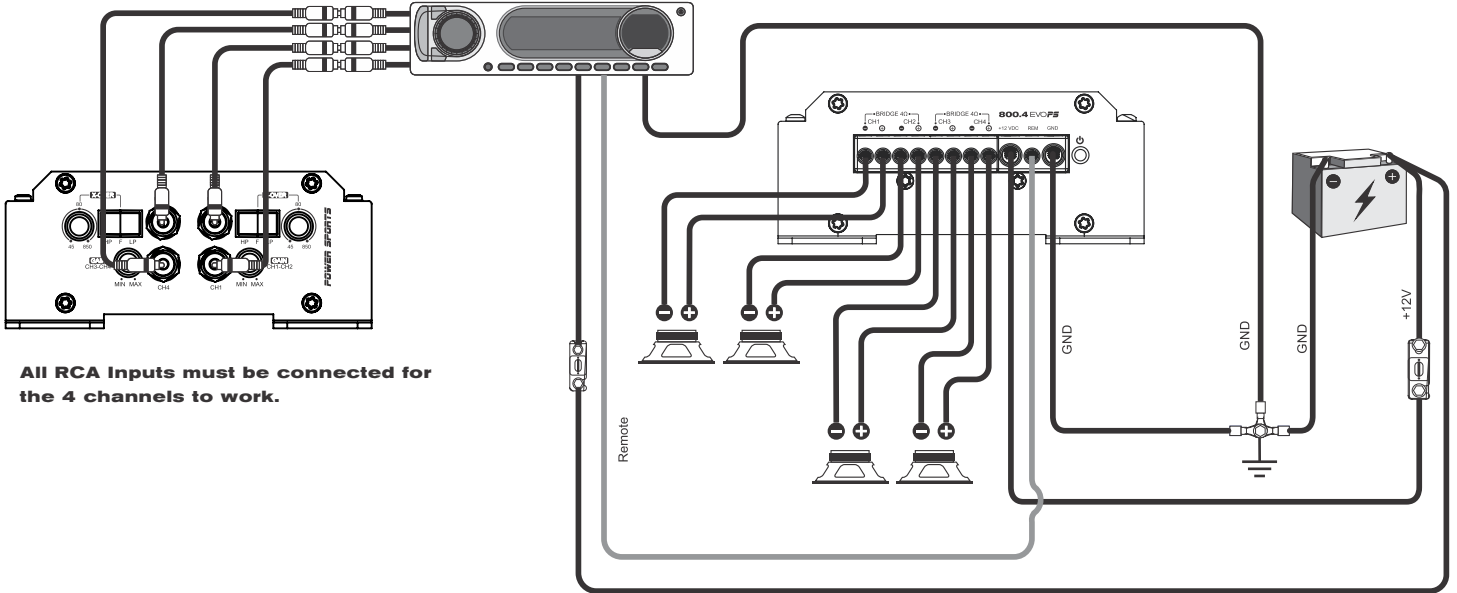
- Connect the power cables in to the amplifier, observing the polarity. Connect all the positive cables from the fuse holder or circuit breaker to the positive connector of the amplifier and all the negative power cables from the batteries to the negative connector of the amplifier;
- The ground cable must be as short as possible and must be connected to the negative connector of battery or vehicle chassis in case of metallic chassis;



**Remove the paint between the terminal and chassis**

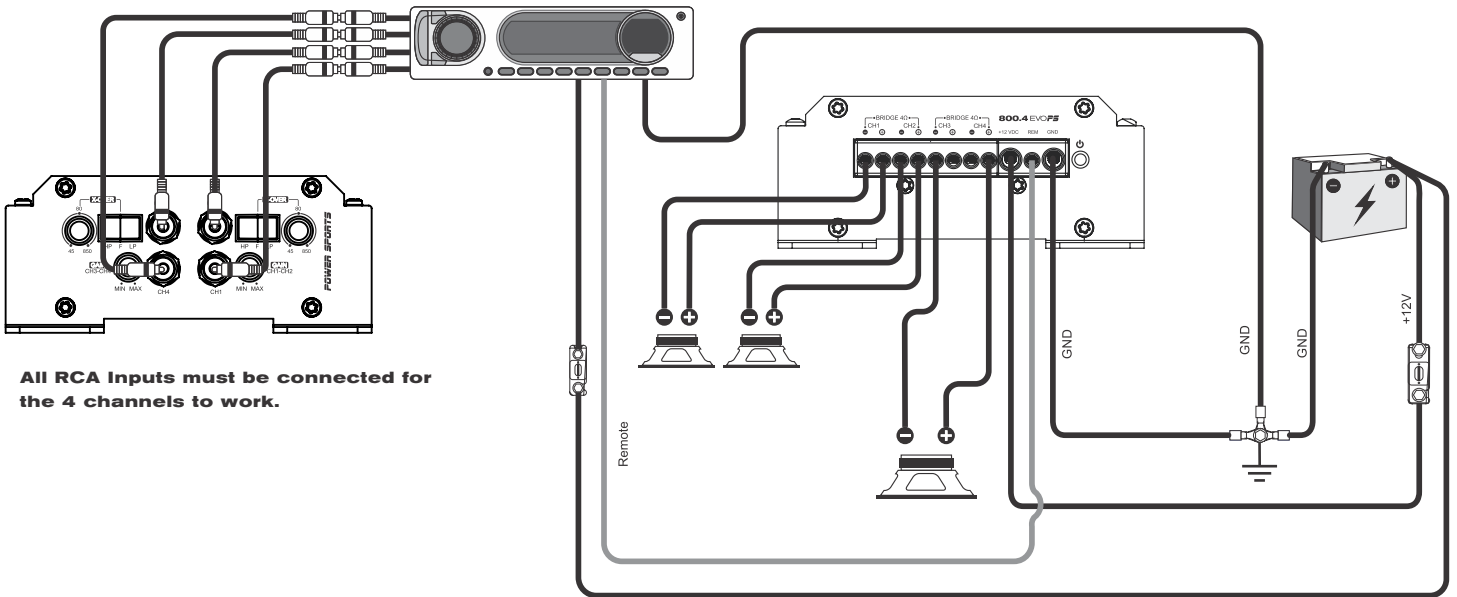
- Install the signal input cables in a proper way, distant from the power cables;
- Connect the RCA or the high signal input cables to the head unit and amplifiers;
- Install the audio output cables with the appropriate section, distant from the power and audio input cables;
- Connect the audio output cables to the amplifier and speakers respecting the positive (+) and negative (-) polarities;
- Install the remote cable with the power cables, using 1.5mm<sup>2</sup> (15 AWG) cable or thicker;
- Connect the remote power cable to the amplifier's "REM" terminal at the main unit's remote power output;
- Before powering the system, verify all the connections and make sure there are no mistakes or short-circuits on the power and ground cables;
- Reconnect the ground of the batteries;
- Check if the headunit is turned off and then place the fuses in the fuse holders or switch the circuit breakers on;
- Turn on the main unit and the amplifier will turn on the "On" LED indicating that it is in operation.

### 4 CHANNEL WIRING DIAGRAM



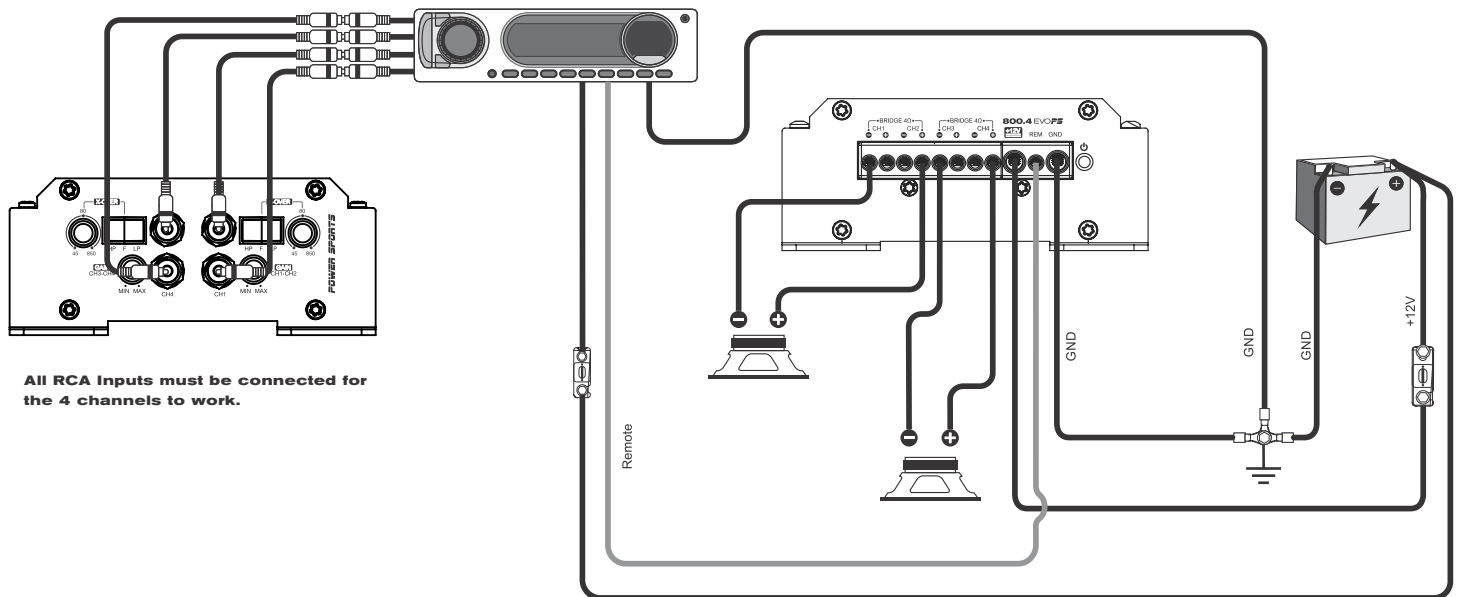
\* Check the minimum speaker impedance at specs table

### 3 CHANNEL WIRING DIAGRAM



\* Check the minimum speaker impedance at specs table

## 2 CHANNEL WIRING DIAGRAM



\* Check the minimum speaker impedance at specs table

### GAIN SETTING

- Necessary equipment:
- Digital AC voltmeter;
- Media with sine wave test tone 60Hz recorded at 0db;
- Screwdriver 1/8" ( for gain set)

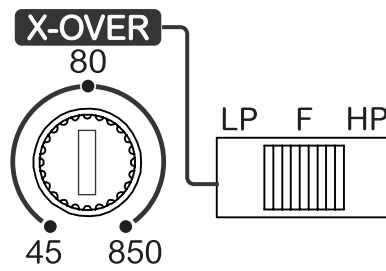
### Set up procedure

- This procedure is the same for both gain controls;
- Turn the gain control all the way down.
- Disconnect the output cables from the amplifier outputs;
- Turn off at's fader control to center position;
- Set the crossover selector switch in "F"
- Use a 60Hz sine wave
- Connect the AC voltmeter to the speaker

output connectors of the amplifier. Make sure you test the voltage at the correct connectors (+ and -);

- Increase the gain control until the target voltage is observed with the voltmeter (see the chart below);
- Once you have adjusted the amplifier to its correct voltage output, turn off the source unit and reconnect the speaker(s)
- *Download the tracks for set up in <https://sounddigitalusa.com/tracks-for-set-up/>*

MODEL	STEREO / POWER	BRIDGE / POWER	STEREO OUTPUT VOLTAGE	BRIDGE OUTPUT VOLTAGE
<b>800.4 EVO FS</b>	2Ω/ 200W	4Ω/ 400W	20.0 V	40.0 V

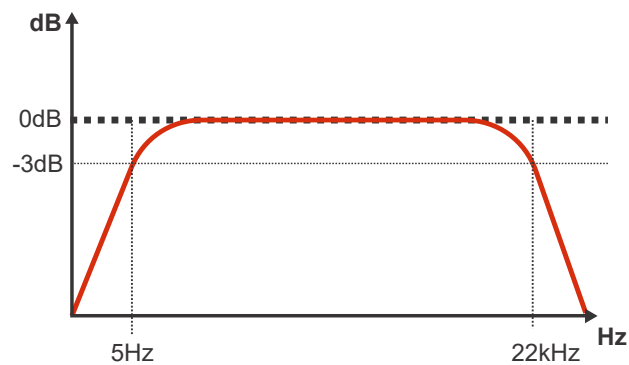


"F" All the frequencies are reproduced;

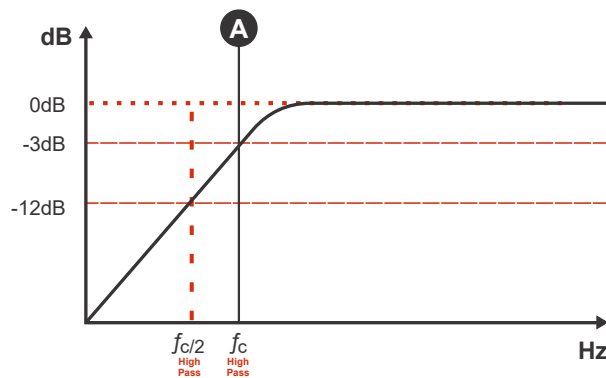
"LP " Set in the variable control on Low Pass Function;

"HP " Set in the variable control on High Pass Function.

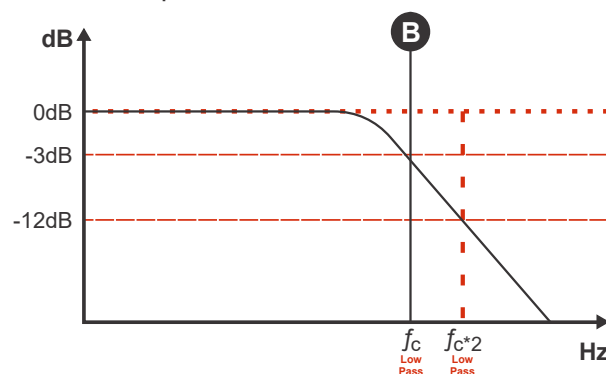
► Selector switch to "F" position (Full Range): All the frequencies are reproduced.



► Selector switch to "HP" - Set in the variable control between 45Hz and 850Hz ("A") where you want to perform the high pass cut filter;



► Selector switch to "LP" - Set in the variable control between 45Hz and 850Hz ("B") where you want to perform the low pass cut filter;



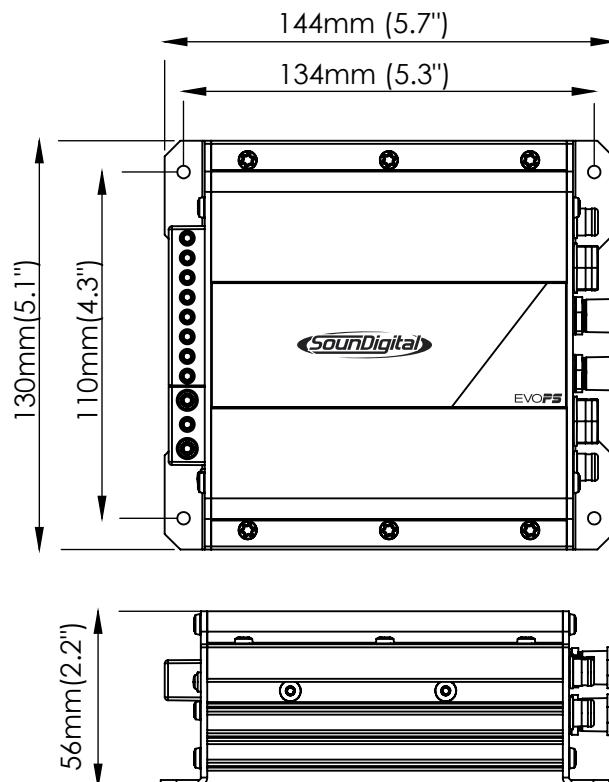


PARAMETERS	800.4 EVOFS
Power RMS Bridge @ 8Ω*	2 X 264W
Power RMS Bridge @ 4Ω*	2 X 400W
Power RMS @ 4Ω*	4 X 132W
Power RMS @ 2Ω*	4 X 200W
Frequency Response (-3dB)	5Hz ~ 22kHz
Low Pass filter (12dB/oct)	45Hz ~ 850Hz
High Pass filter (12dB/oct)	45Hz ~ 850Hz
Operating Voltage	8V ~ 16V
SNR	91dB
Input Sensitivity	0.2 ~ 4V
Current Draw (Music)	35A
Current Draw (Max)	70A
Total Efficiency	79%
Damping Factor (@100Hz nominal impedance)	200
Stereo Minimum Impedance	2Ω
Bridge Minimum Impedance	4Ω
Fuse (music)	40A
Recommended battery	60Ah



\*REAL POWER NUMBERS  
CTA-2006 INDUSTRY STANDARDS

## DIMENSIONAL DATA







**POWER SPORTS**

**EVO**PS



Consumer  
Technology  
Association™



[WWW.SOUNDIGITALUSA.COM](http://WWW.SOUNDIGITALUSA.COM)



[SOUNDIGITALUSA](https://www.facebook.com/SOUNDIGITALUSA)



[SOUNDIGITALUSA](https://www.instagram.com/SOUNDIGITALUSA)