



YOUR MUSIC. **YOUR POWER.**

EVOX

ABOUT US

Back in the 90's, the electrical engineering student, Juliano Anflor, decided to develop a car audio amplifier as a college project. What started as a hobby, turned into a passion, and some years later into the business of his life.

Always innovating and searching for new technologies, SounDigital has earned its share of the market in a short period of time and has become one of the major companies in this segment. The brand's products can be found in over 40 countries around the globe nowadays.

With our world headquarters based in southern Brazil, we built our own factory located in the heart of a technology and manufacturing hub. Employing our own engineers, assembly technicians, and quality control specialists, we are able to control every aspect of our amplifiers from start to finish. In addition to this, we work with neighboring companies to custom build parts and components, making sure that our amplifiers lead the market, and set the bar.

THE NEXT STEP IN **EVOLUTION.**

EVOX

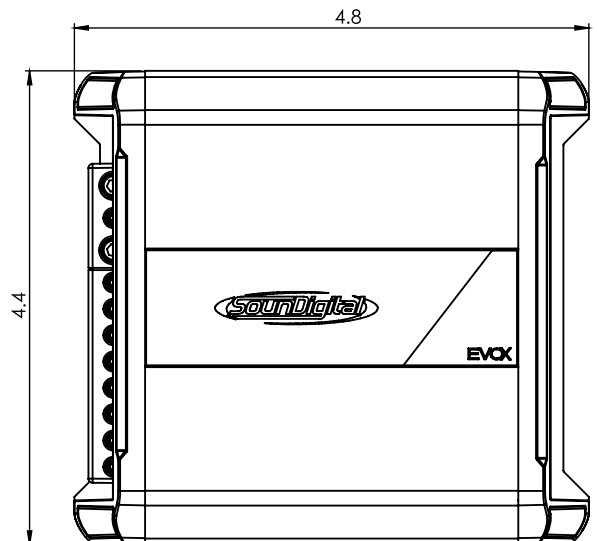


DYNAMIC THERMAL DISSIPATION



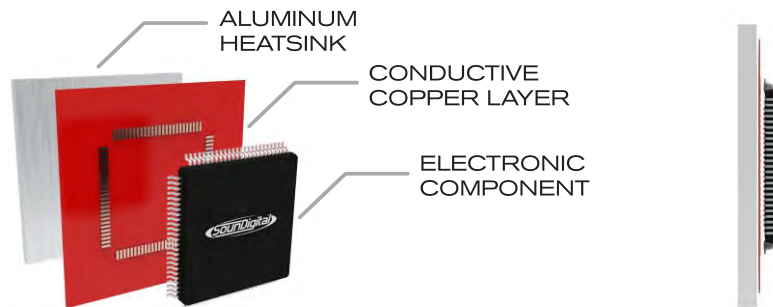
A system that provides a faster heat exchange with the environment, increasing the efficiency of the amplifier resulting in lower levels of distortion during long working periods.

REDUCED SIZE



The technology used in the SoundDigital products brings both high performance and power in a small chassis, providing installation solutions for vehicles with limited space.

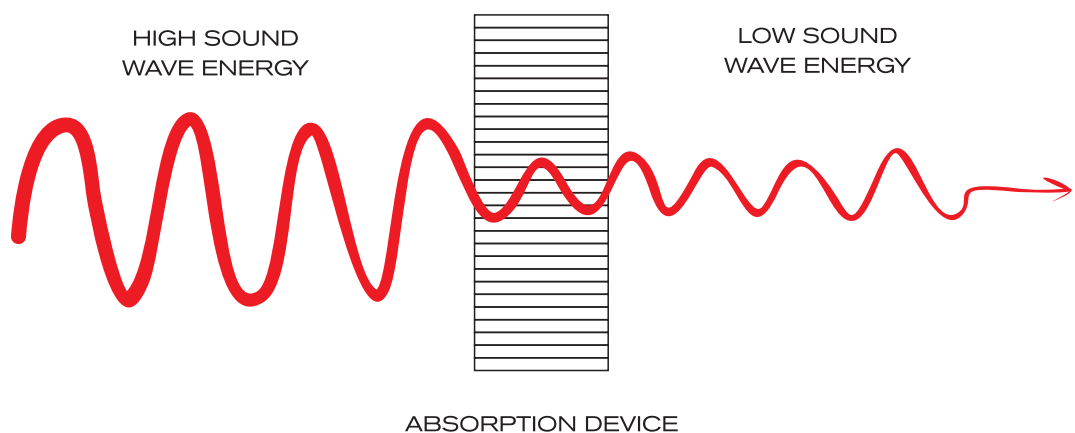
DYNAMIC THERMAL RECOVERY - DTR



The DTR is a dynamic thermal recovery system which always maintains a high efficiency of the amplifier by accelerating the thermal exchange of electronic components with the heatsink.

VIBRATION ABSORPTION DEVICE

SounDigital added a new device to the EVO X products which act like springs, reducing the impact of vibration on the electronic circuit board, thereby increasing the life and reliability of the amplifiers.



400.2EVOX

4Ω

POWER @ 12.6V @ 2Ω: 2 X 200 WRMS

POWER @ 12.6V @ 4Ω: 2 X 132 WRMS

POWER @ 12.6V @ 1Ω: N/A

BRIDGE POWER @ 12.6V @ 4Ω: 1 X 400 WRMS

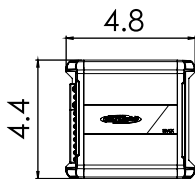
THD + N (10% RATED POWER): 0.1%

CURRENT DRAW (MUSIC): 20 A

CURRENT DRAW (MAX): 39 A

PRODUCT DIMENSIONS: 4.8 X 4.4 X 2.0 IN

LP/HP: 45HZ - 850HZ 12 DB/OCT



400.4 EVOX

4Ω

POWER @ 12.6V @ 4Ω: 4 X 66 WRMS

POWER @ 12.6V @ 2Ω: 4 X 100 WRMS

POWER @ 12.6V @ 1Ω: N/A

BRIDGE POWER @ 12.6V @ 4Ω: 2 X 200 WRMS

BRIDGE POWER @ 12.6V @ 2Ω: N/A

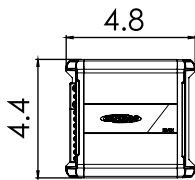
THD + N (10% RATED POWER): 0.1%

CURRENT DRAW (MUSIC): 19 A

CURRENT DRAW (MAX): 39 A

PRODUCT DIMENSIONS: 4.8 X 4.4 X 2.0 IN

LP/HP: 45HZ - 850HZ 12 DB/OCT



800.1 EVOX



2Ω

POWER @ 12.6V @ 4Ω: 1 X 528 WRMS

POWER @ 12.6V @ 2Ω: 1 X 800 WRMS

POWER @ 12.6V @ 1Ω: N/A

THD + N (10% RATED POWER): 0.1%

CURRENT DRAW (MUSIC): 39 A

CURRENT DRAW (MAX): 78 A

PRODUCT DIMENSIONS: 5.8 X 4.4 X 2.0 IN

SUBSONIC: 5HZ - 30HZ 12 DB/OCT

LP: 50HZ - 500HZ 12DB/OCT

4Ω

POWER @ 12.6V @ 4Ω: 1 X 800 WRMS

POWER @ 12.6V @ 2Ω: N/A

POWER @ 12.6V @ 1Ω: N/A

THD + N (10% RATED POWER): 0.1%

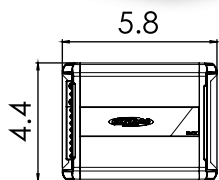
CURRENT DRAW (MUSIC): 40 A

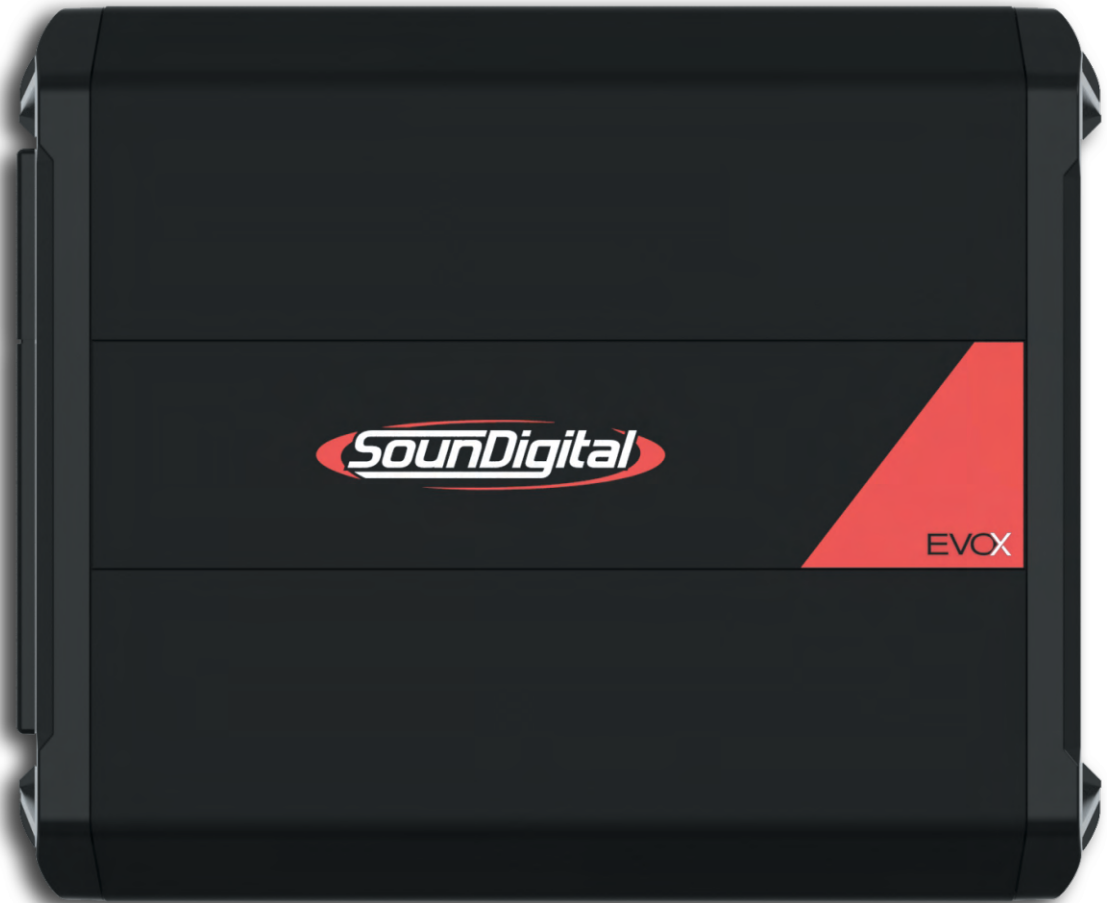
CURRENT DRAW (MAX): 78 A

PRODUCT DIMENSIONS: 5.8 X 4.4 X 2.0 IN

SUBSONIC: 5HZ - 30HZ 12 DB/OCT

LP: 50HZ - 500HZ 12DB/OCT





800.4 EVOX

4Ω

POWER @ 12.6V @ 4Ω: 4 X 132 WRMS

POWER @ 12.6V @ 2Ω: 4 X 200 WRMS

POWER @ 12.6V @ 1Ω: N/A

BRIDGE POWER @ 12.6V @ 4Ω: 2 X 400

BRIDGE POWER @ 12.6V @ 2Ω: N/A

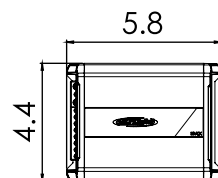
THD + N (10% RATED POWER): 0.1%

CURRENT DRAW (MUSIC): 40 A

CURRENT DRAW (MAX): 80 A

PRODUCT DIMENSIONS: 5.8 X 4.4 X 2.0 IN

LP/HP: 45HZ - 850HZ 12 DB/OCT

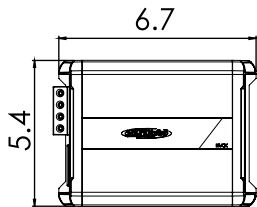


1200.2EVOX**2Ω**

POWER @ 12.6V @ 4Ω: 2 X 261 WRMS
 POWER @ 12.6V @ 2Ω: 2 X 396 WRMS
 POWER @ 12.6V @ 1Ω: 2 X 600 WRMS
 BRIDGE POWER @ 12.6V @ 4Ω: 1 X 792 WRMS
 BRIDGE POWER @ 12.6V @ 2Ω: 1 X 1200 WRMS
 THD + N (10% RATED POWER): 0.1%
 CURRENT DRAW (MUSIC): 58 A
 CURRENT DRAW (MAX): 116 A
 PRODUCT DIMENSIONS: 6.7 X 5.4 X 2.2 IN
 LP/HP: 45HZ - 850HZ 12 DB/OCT

4Ω

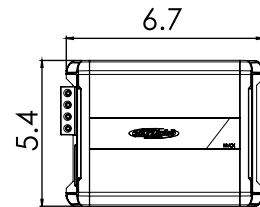
POWER @ 12.6V @ 4Ω: 2 X 396 WRMS
 POWER @ 12.6V @ 2Ω: 2 X 600 WRMS
 POWER @ 12.6V @ 1Ω: N/A
 BRIDGE POWER @ 12.6V @ 4Ω: 1 X 1200
 BRIDGE POWER @ 12.6V @ 2Ω: N/A
 THD + N (10% RATED POWER): 0.1%
 CURRENT DRAW (MUSIC): 57 A
 CURRENT DRAW (MAX): 115 A
 PRODUCT DIMENSIONS: 6.7 X 5.4 X 2.2 IN
 LP/HP: 45HZ - 850HZ 12 DB/OCT

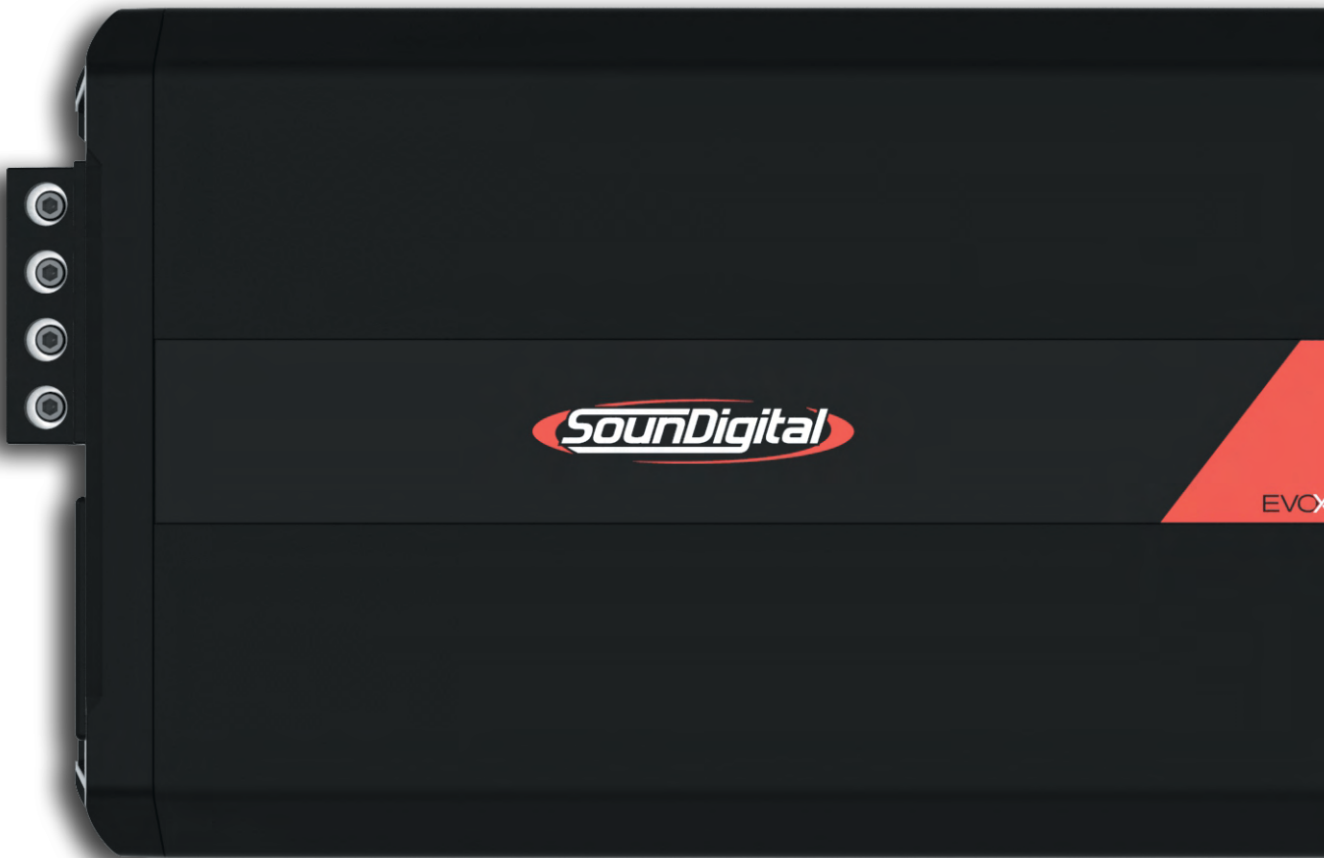
**1200.4EVOX****2Ω**

POWER @ 12.6V @ 4Ω: 4 X 130 WRMS
 POWER @ 12.6V @ 2Ω: 4 X 198 WRMS
 POWER @ 12.6V @ 1Ω: 4 X 300 WRMS
 BRIDGE POWER @ 12.6V @ 4Ω: 2 X 396 WRMS
 BRIDGE POWER @ 12.6V @ 2Ω: 2 X 600 WRMS
 THD + N (10% RATED POWER): 0.1%
 CURRENT DRAW (MUSIC): 57 A
 CURRENT DRAW (MAX): 113 A
 PRODUCT DIMENSIONS: 6.7 X 5.4 X 2.2 IN
 LP/HP: 45HZ - 850HZ 12 DB/OCT

4Ω

POWER @ 12.6V @ 4Ω: 4 X 198 WRMS
 POWER @ 12.6V @ 2Ω: 4 X 300 WRMS
 POWER @ 12.6V @ 1Ω: N/A
 BRIDGE POWER @ 12.6V @ 4Ω: 2 X 600 WRMS
 BRIDGE POWER @ 12.6V @ 2Ω: N/A
 THD + N (10% RATED POWER): 0.1%
 CURRENT DRAW (MUSIC): 58 A
 CURRENT DRAW (MAX): 116 A
 PRODUCT DIMENSIONS: 6.7 X 5.4 X 2.2 IN
 LP/HP: 45HZ - 850HZ 12 DB/OCT





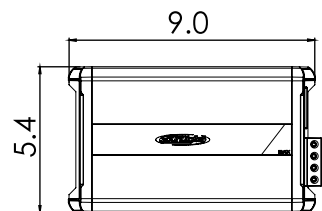
2400.4 EVOX

2Ω

POWER @ 12.6V @ 4Ω: 4 X 261 WRMS
 POWER @ 12.6V @ 2Ω: 4 X 396 WRMS
 POWER @ 12.6V @ 1Ω: 4 X 600 WRMS
 BRIDGE POWER @ 12.6V @ 4Ω: 2 X 792 WRMS
 BRIDGE POWER @ 12.6V @ 2Ω: 2 X 1200 WRMS
 THD + N (10% RATED POWER): 0.1%
 CURRENT DRAW (MUSIC): 121 A
 CURRENT DRAW (MAX): 241 A
 PRODUCT DIMENSIONS: 9.0 X 5.4 X 2.2 IN
 LP/HP: 45HZ - 850HZ 12 DB/OCT

4Ω

POWER @ 12.6V @ 4Ω: 4 X 396 WRMS
 POWER @ 12.6V @ 2Ω: 4 X 600 WRMS
 POWER @ 12.6V @ 1Ω: N/A
 BRIDGE POWER @ 12.6V @ 4Ω: 2 X 1200 WRMS
 BRIDGE POWER @ 12.6V @ 2Ω: N/A
 THD + N (10% RATED POWER): 0.1%
 CURRENT DRAW (MUSIC): 121 A
 CURRENT DRAW (MAX): 241 A
 PRODUCT DIMENSIONS: 9.0 X 5.4 X 2.2 IN
 LP/HP: 45HZ - 850HZ 12 DB/OCT

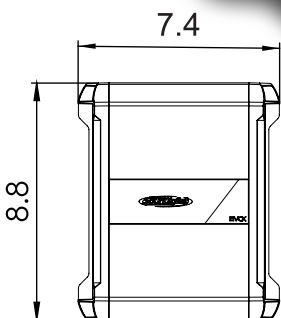
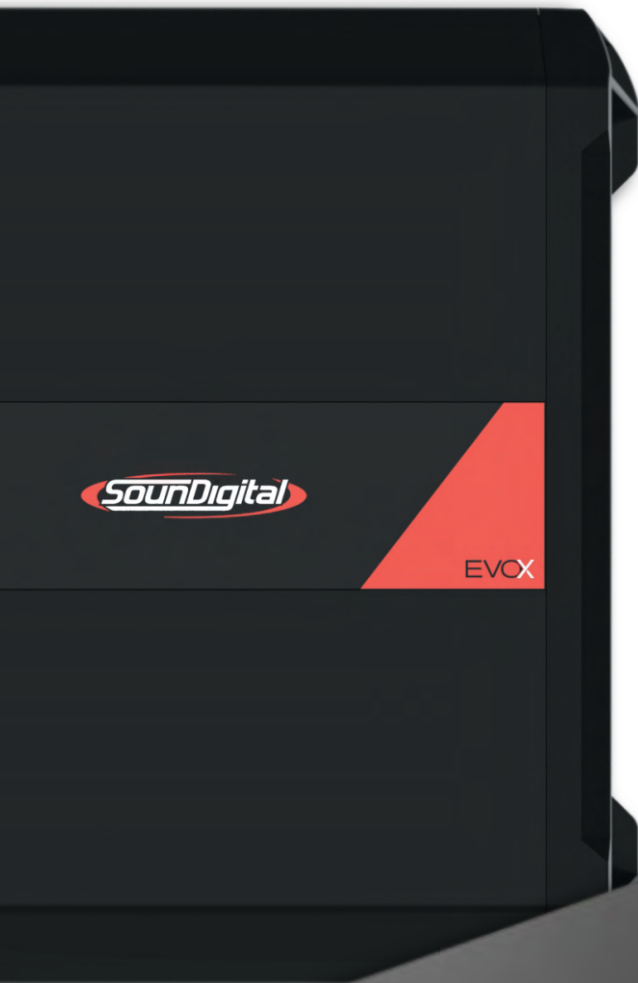


3000.1 EVOX**1Ω**

POWER @ 12.6V @ 4Ω: 1 X 1307 WRMS
POWER @ 12.6V @ 2Ω: 1 X 1980 WRMS
POWER @ 12.6V @ 1Ω: 1 X 3000 WRMS
THD + N (10% RATED POWER): 0.03%
DAMPING FACTOR: > 1000
CURRENT DRAW (MUSIC): 149 A
CURRENT DRAW (MAX): 298 A
PRODUCT DIMENSIONS: 7.4 X 8.8 X 2.8 IN
SUBSONIC: 5HZ - 30HZ 12 DB/OCT
LP: 50HZ - 500HZ 12DB/OCT

2Ω

POWER @ 12.6V @ 4Ω: 1 X 1980 WRMS
POWER @ 12.6V @ 2Ω: 1 X 3000 WRMS
POWER @ 12.6V @ 1Ω: N/A
THD + N (10% RATED POWER): 0.03%
DAMPING FACTOR: > 1000
CURRENT DRAW (MUSIC): 149 A
CURRENT DRAW (MAX): 298 A
PRODUCT DIMENSIONS: 7.4 X 8.8 X 2.8 IN
SUBSONIC: 5HZ - 30HZ 12 DB/OCT
LP: 50HZ - 500HZ 12DB/OCT



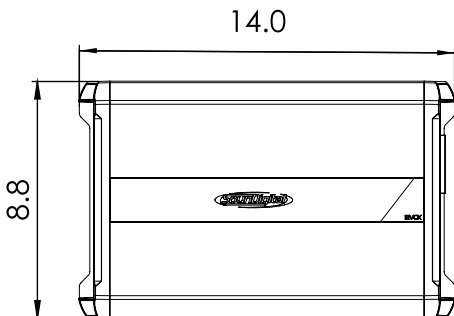
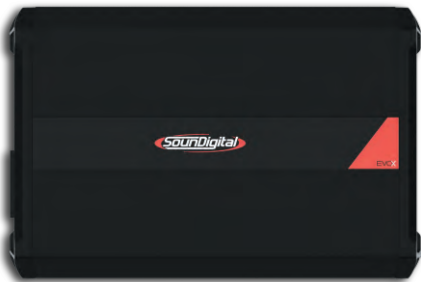
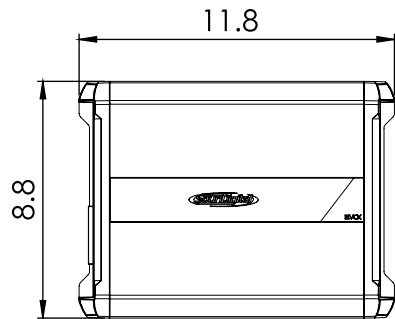
5000.1EVOX

1Ω

POWER @ 12.6V @ 4Ω: 1 X 2178 WRMS
 POWER @ 12.6V @ 2Ω: 1 X 3300 WRMS
 POWER @ 12.6V @ 1Ω: 1 X 5000 WRMS
 THD + N (10% RATED POWER): 0.08%
 DAMPING FACTOR: > 1000
 CURRENT DRAW (MUSIC): 251 A
 CURRENT DRAW (MAX): 502 A
 PRODUCT DIMENSIONS: 11.8 X 8.8 X 2.8 IN
 SUBSONIC: 5HZ - 30HZ 12 DB/OCT
 LP: 50HZ - 500HZ 12DB/OCT

2Ω

POWER @ 12.6V @ 4Ω: 1 X 3300 WRMS
 POWER @ 12.6V @ 2Ω: 1 X 5000 WRMS
 POWER @ 12.6V @ 1Ω: N/A
 THD + N (10% RATED POWER): 0.08%
 DAMPING FACTOR: > 1000
 CURRENT DRAW (MUSIC): 251 A
 CURRENT DRAW (MAX): 502 A
 PRODUCT DIMENSIONS: 11.8 X 8.8 X 2.8 IN
 SUBSONIC: 5HZ - 30HZ 12 DB/OCT
 LP: 50HZ - 500HZ 12DB/OCT



8000.1EVOX

1Ω

POWER @ 12.6V @ 4Ω: 1 X 3485 WRMS
 POWER @ 12.6V @ 2Ω: 1 X 5280 WRMS
 POWER @ 12.6V @ 1Ω: 1 X 8000 WRMS
 THD + N (10% RATED POWER): 0.08%
 DAMPING FACTOR: > 1000
 CURRENT DRAW (MUSIC): 397 A
 CURRENT DRAW (MAX): 794 A
 PRODUCT DIMENSIONS: 14.0 X 8.8 X 2.8 IN
 SUBSONIC: 5HZ - 30HZ 12 DB/OCT
 LP: 50HZ - 500HZ 12DB/OCT

2Ω

POWER @ 12.6V @ 4Ω: 1 X 5280 WRMS
 POWER @ 12.6V @ 2Ω: 1 X 8000 WRMS
 POWER @ 12.6V @ 1Ω: N/A
 THD + N (10% RATED POWER): 0.08%
 DAMPING FACTOR: > 1000
 CURRENT DRAW (MUSIC): 397 A
 CURRENT DRAW (MAX): 794 A
 PRODUCT DIMENSIONS: 14.0 X 8.8 X 2.8 IN
 SUBSONIC: 5HZ - 30HZ 12 DB/OCT
 LP: 50HZ - 500HZ 12DB/OCT

1 2000.1 EVOX

1Ω

POWER @ 12.6V @ 4Ω: 1 X 5227 WRMS

POWER @ 12.6V @ 2Ω: 1 X 7920 WRMS

POWER @ 12.6V @ 1Ω: 1 X 12000 WRMS

THD + N (10% RATED POWER): 0.1%

DAMPING FACTOR: > 1000

CURRENT DRAW (MUSIC): 627 A

CURRENT DRAW (MAX): 1253 A

PRODUCT DIMENSIONS: 20.8 X 8.8 X 2.8 IN

SUBSONIC: 5HZ - 30HZ 12 DB/OCT

LP: 50HZ - 500HZ 12DB/OCT

2Ω

POWER @ 12.6V @ 4Ω: 1 X 7920 WRMS

POWER @ 12.6V @ 2Ω: 1 X 12000 WRMS

POWER @ 12.6V @ 1Ω: N/A

THD + N (10% RATED POWER): 0.1%

DAMPING FACTOR: > 1000

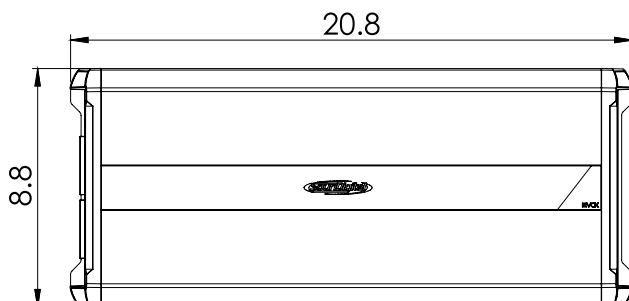
CURRENT DRAW (MUSIC): 627 A

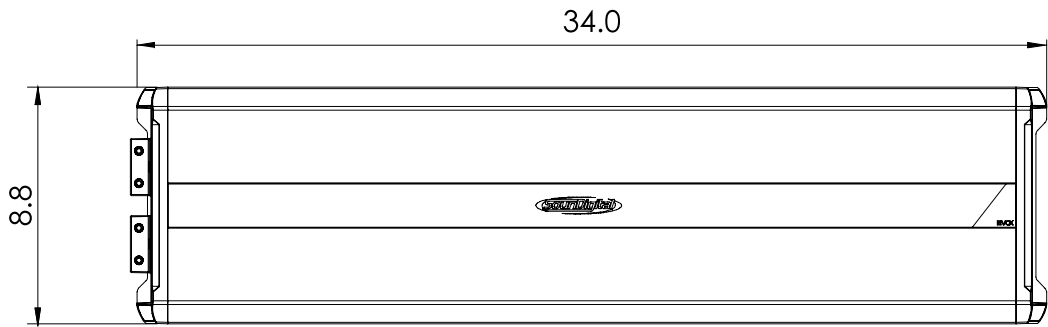
CURRENT DRAW (MAX): 1253 A

PRODUCT DIMENSIONS: 20.8 X 8.8 X 2.8 IN

SUBSONIC: 5HZ - 30HZ 12 DB/OCT

LP: 50HZ - 500HZ 12DB/OCT





20000.1 EVOX

1Ω

POWER @ 12.6V @ 4Ω: 1 X 8712 WRMS
 POWER @ 12.6V @ 2Ω: 1 X 13200 WRMS
 POWER @ 12.6V @ 1Ω: 1 X 20000 WRMS
 THD + N (10% RATED POWER): 0.2%
 DAMPING FACTOR: > 1000
 CURRENT DRAW (MUSIC): 980 A
 CURRENT DRAW (MAX): 1960 A
 PRODUCT DIMENSIONS: 34 X 8.8 X 2.8 IN
 SUBSONIC: 5HZ - 30HZ 12 DB/OCT
 LP: 50HZ - 500HZ 12DB/OCT



35000.1 EVOX

1Ω

POWER @ 12.6V @ 4Ω: 1 X 15246 WRMS

POWER @ 12.6V @ 2Ω: 1 X 23100 WRMS

POWER @ 12.6V @ 1Ω: 1 X 35000 WRMS

THD + N (10% RATED POWER): 0.3%

DAMPING FACTOR: > 1000

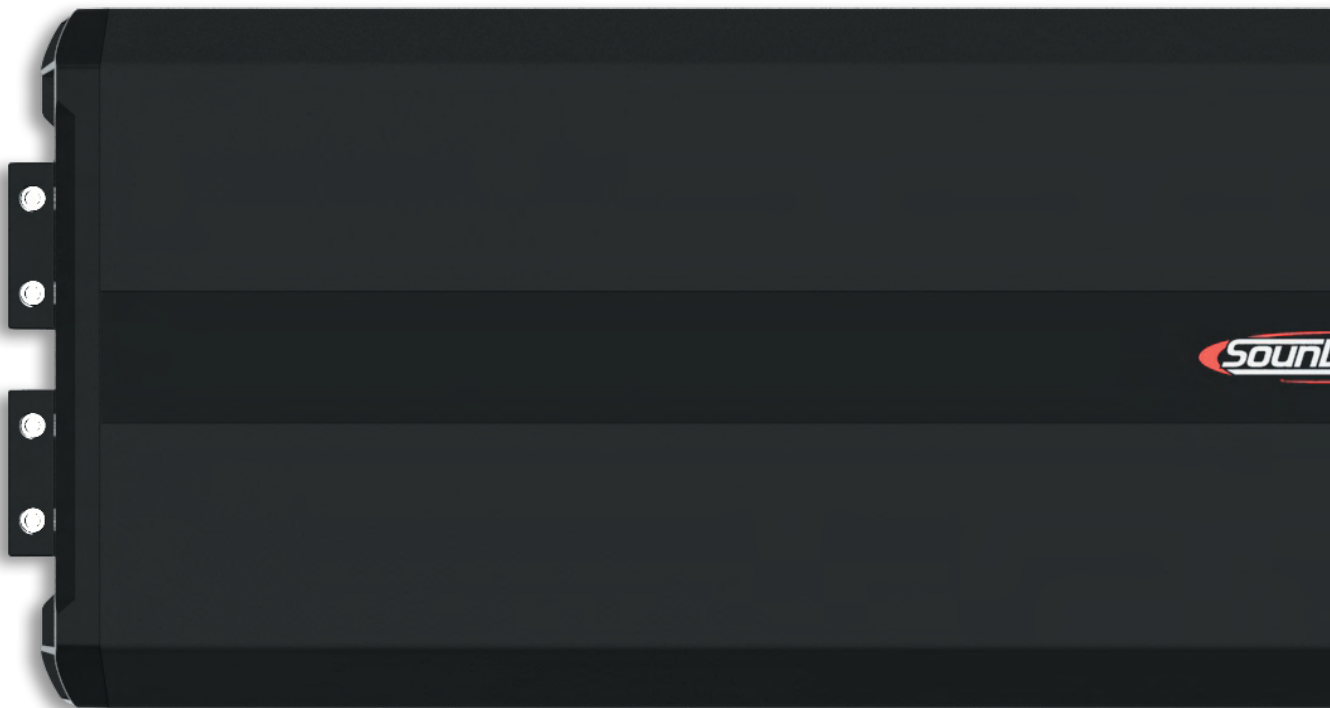
CURRENT DRAW (MUSIC): 1715 A

CURRENT DRAW (MAX): 3429 A

PRODUCT DIMENSIONS: 32.8 X 8.0 X 2.8 IN

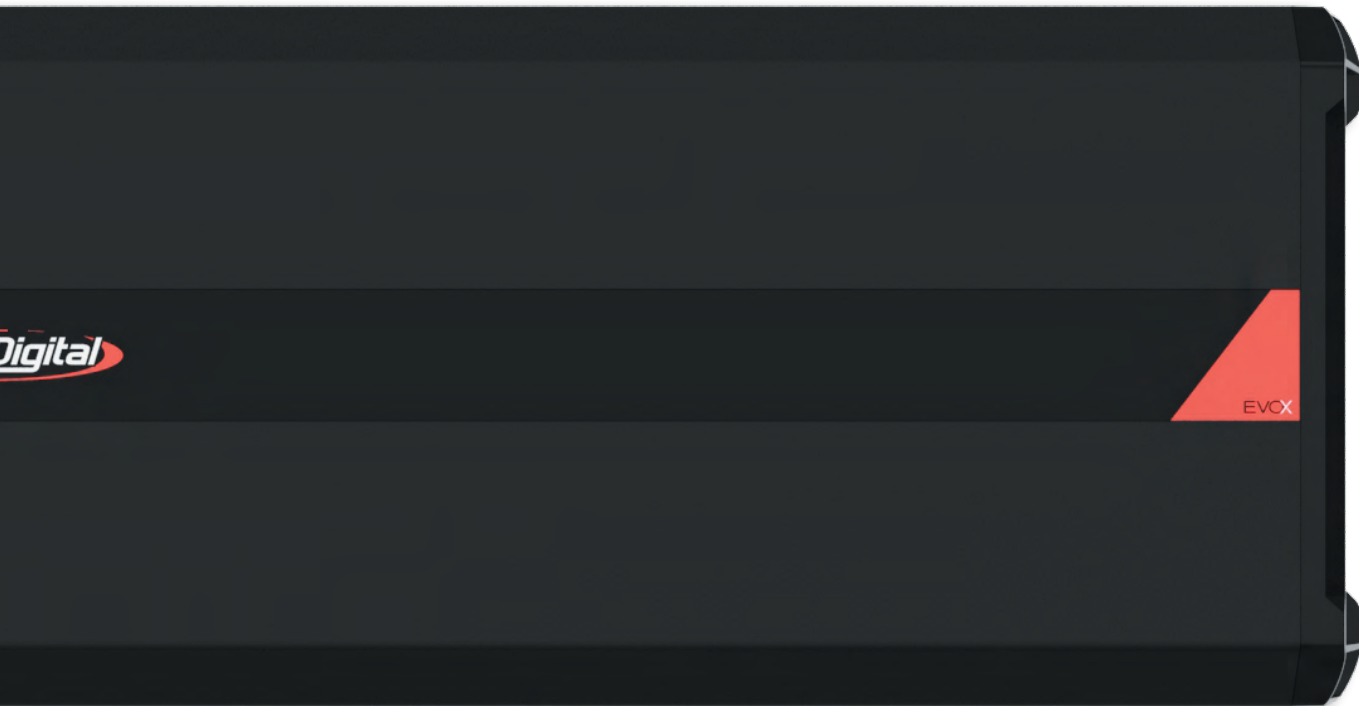
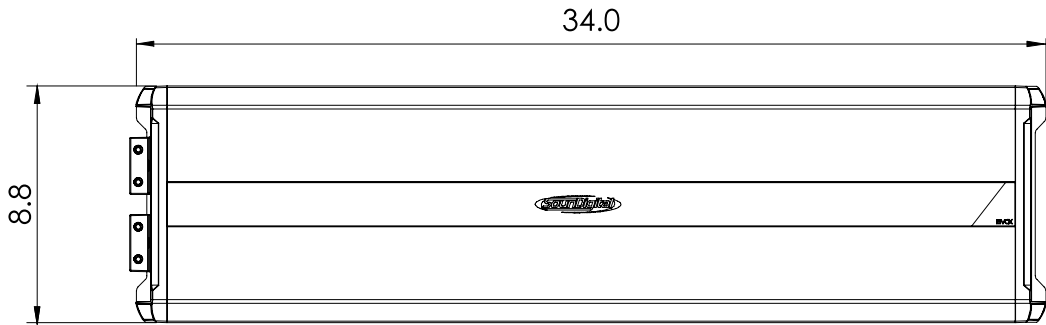
SUBSONIC: 5HZ - 30HZ 12 DB/OCT

LP: 50HZ - 500HZ 12DB/OCT



TO BE USED ONLY IN SPL COMPETITIONS (BURP ONLY)!





SounDigital[®]





BRASIL

USA

ANYWHERE

PRESENT IN OVER 40 COUNTRIES



YOUR MUSIC. **YOUR POWER.**



Consumer
Technology
Association™



WWW.SOUNDIGITALUSA.COM



[SOUNDIGITALUSA](https://www.facebook.com/SOUNDIGITALUSA)



[SOUNDIGITALUSA](https://www.instagram.com/SOUNDIGITALUSA)